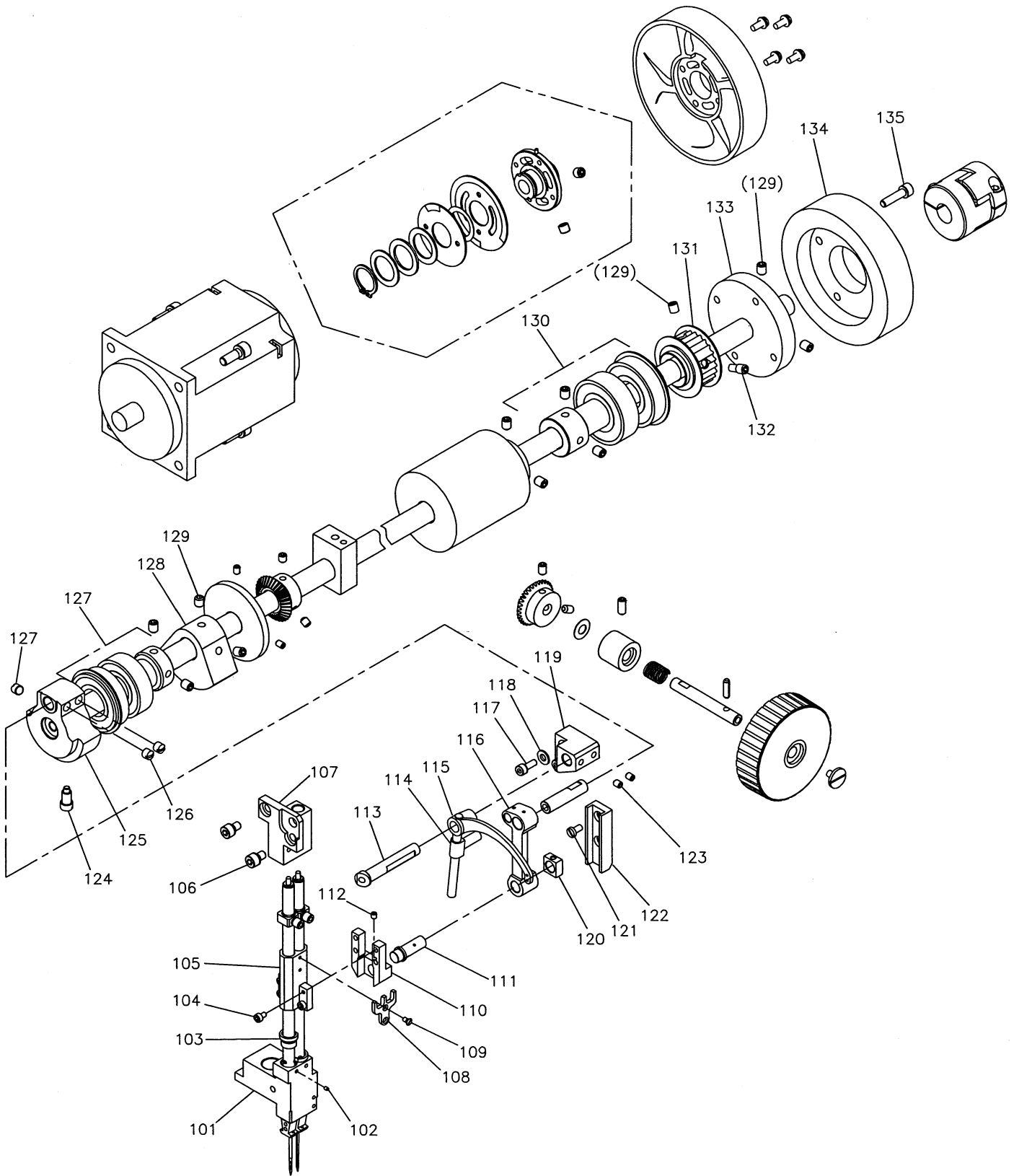
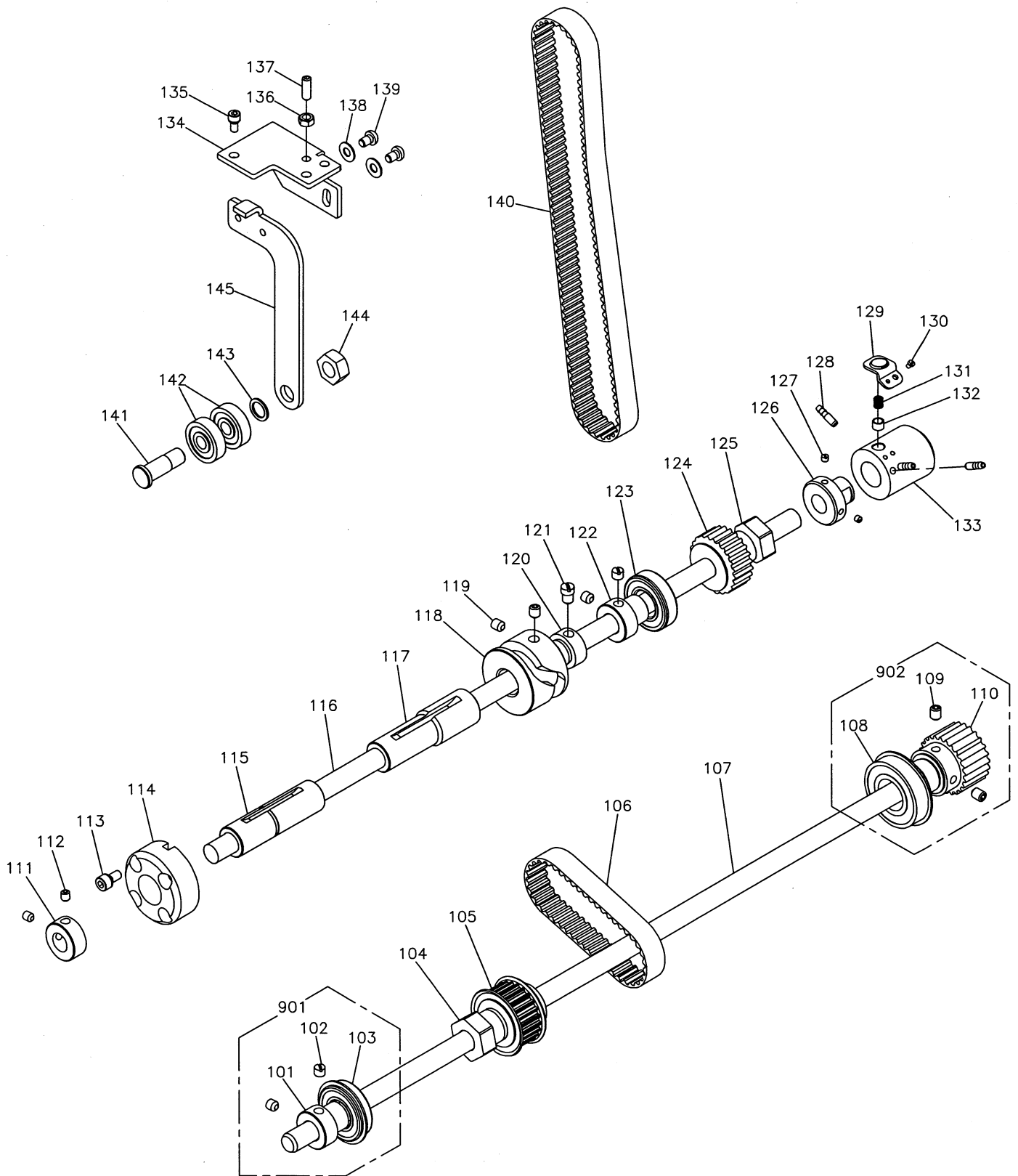


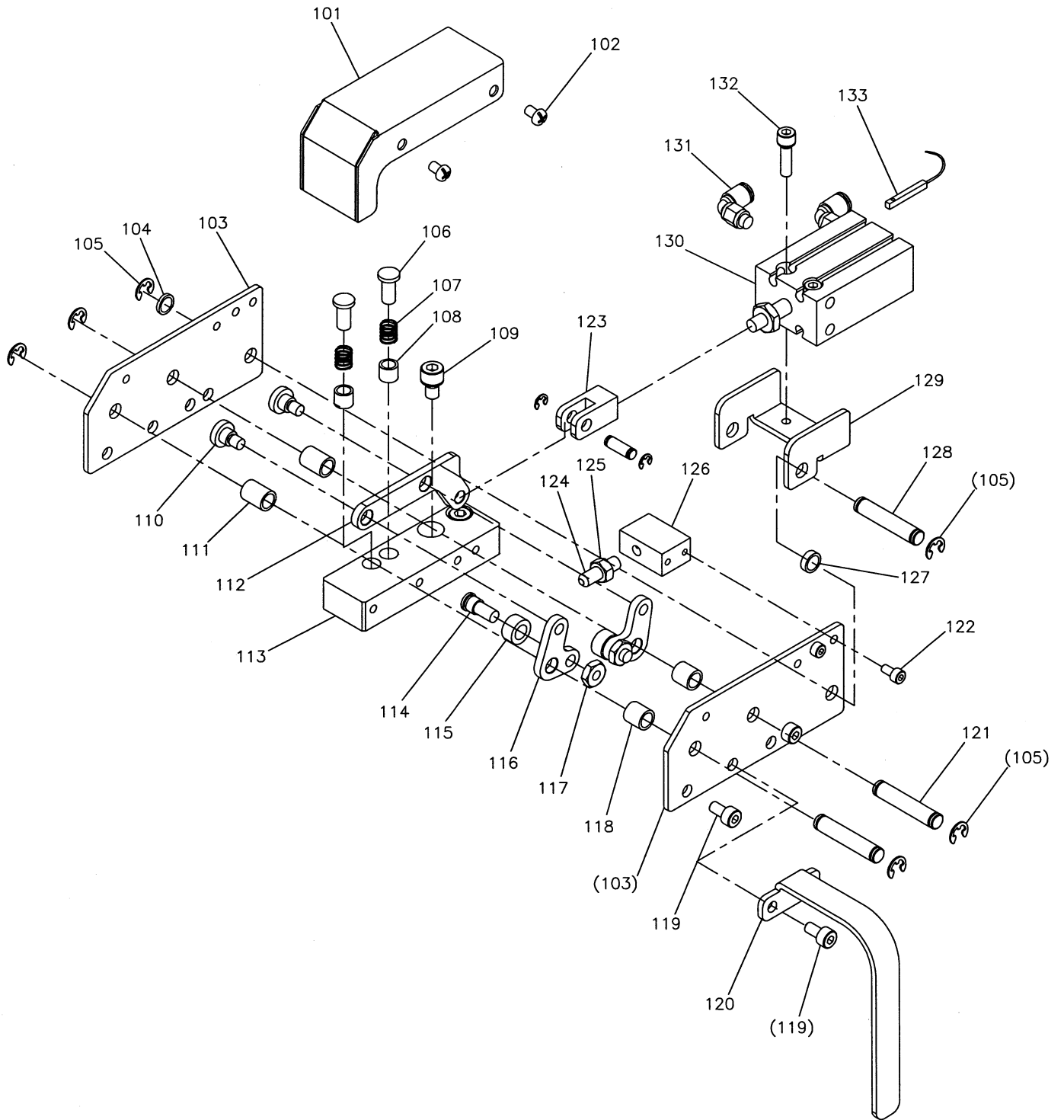
SEWING MECHANISM (1)



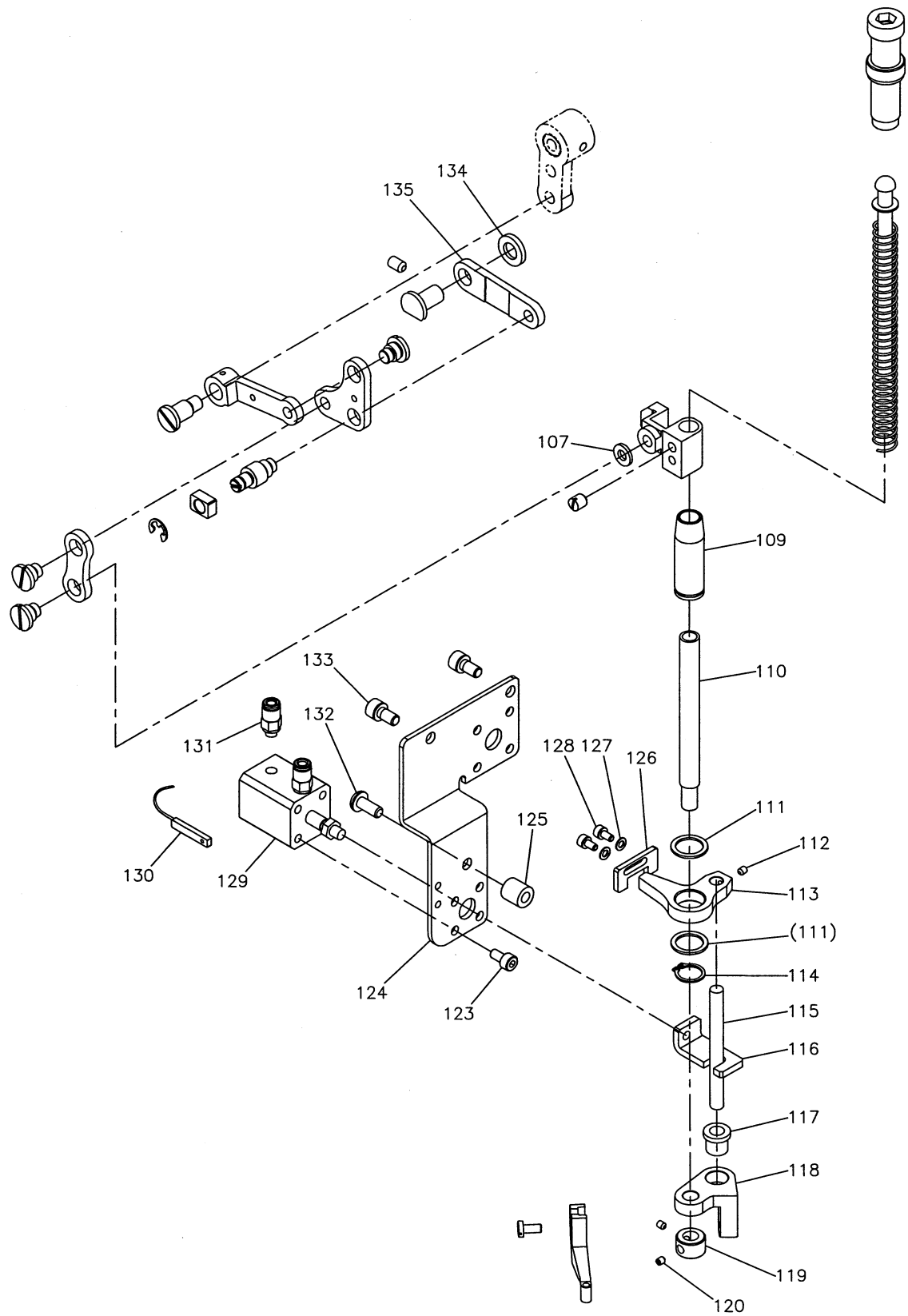
SEWING MECHANISM (2)



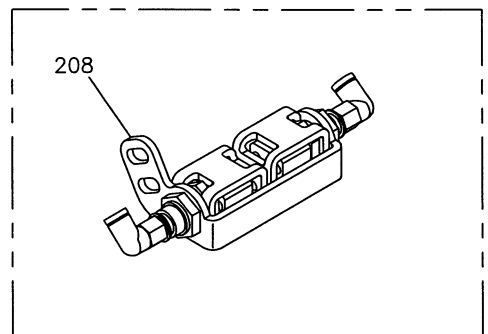
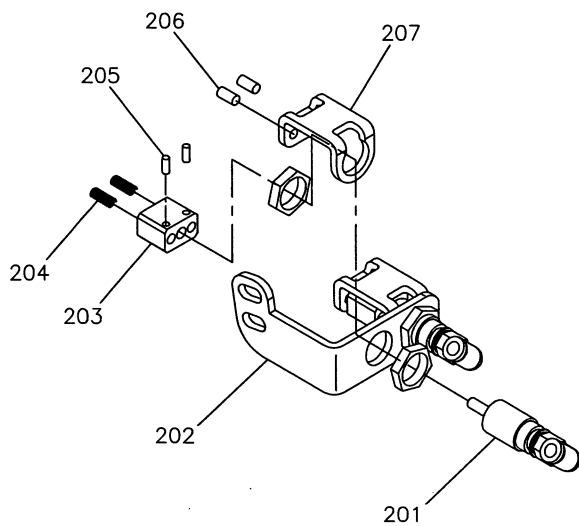
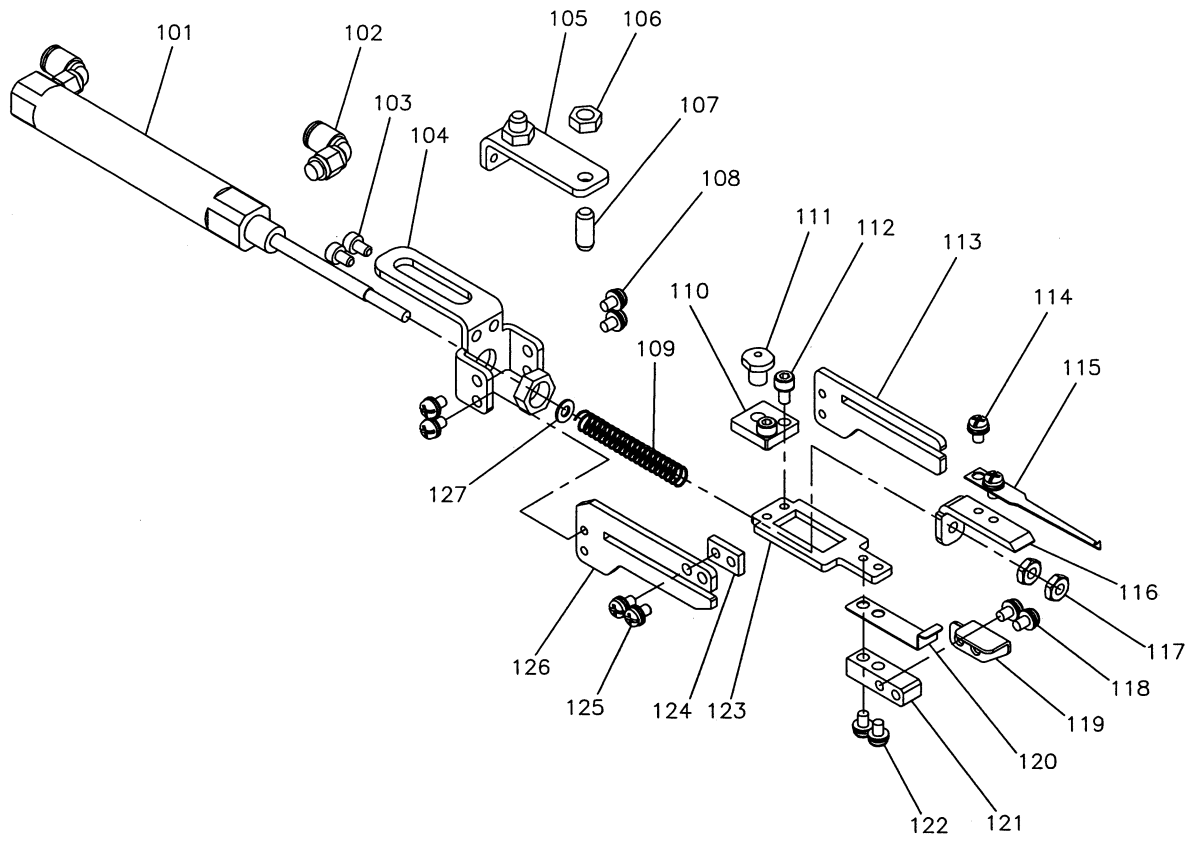
NEEDLE CHANGING DEVICE



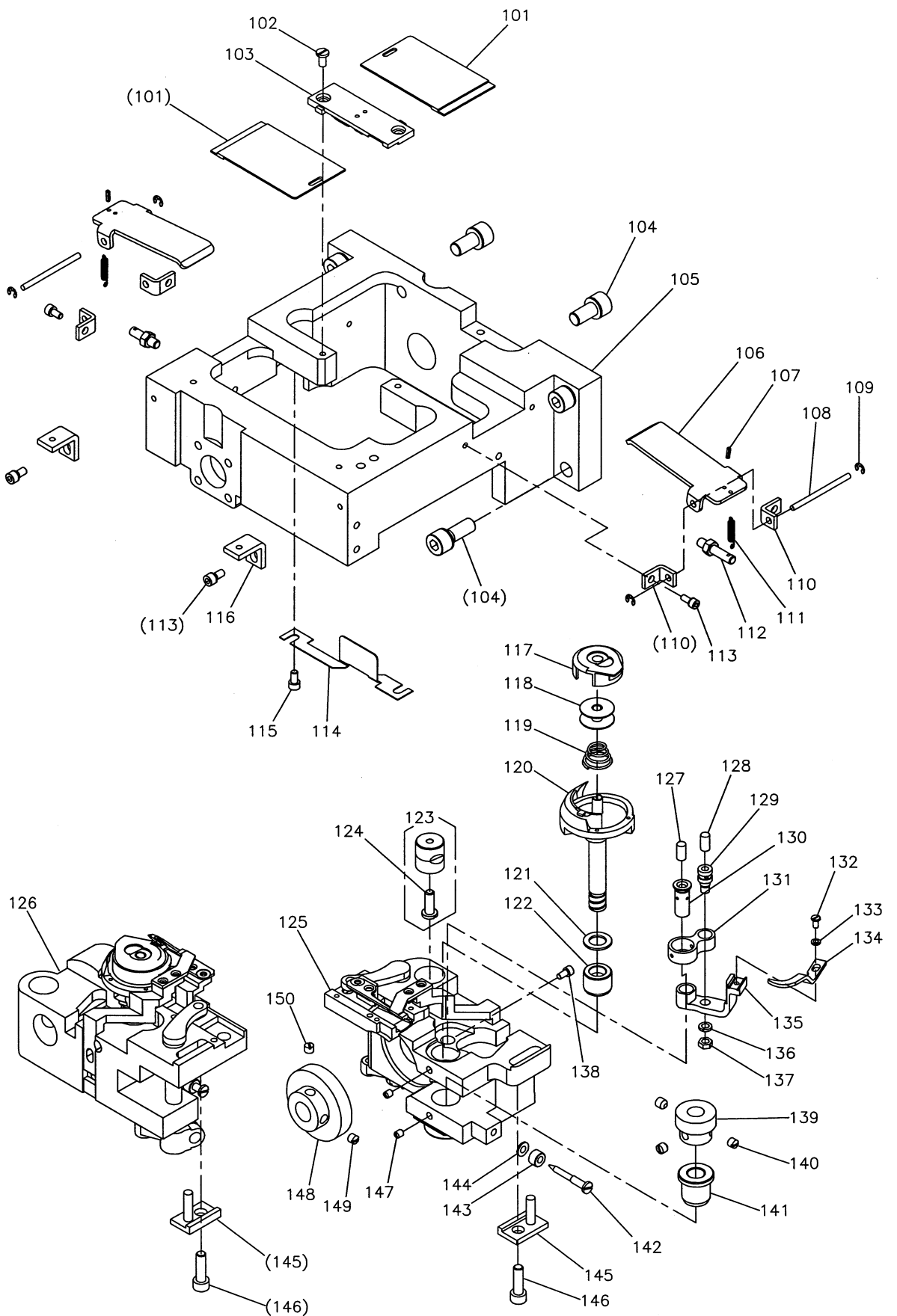
PRESSER BAR LIFTING AND CHANGING MECHANISM



NEEDLE THREAD CATCHER / HOLDER



HOOK SADDLE MECHANISM



KNIFE MECHANISM (2)

